

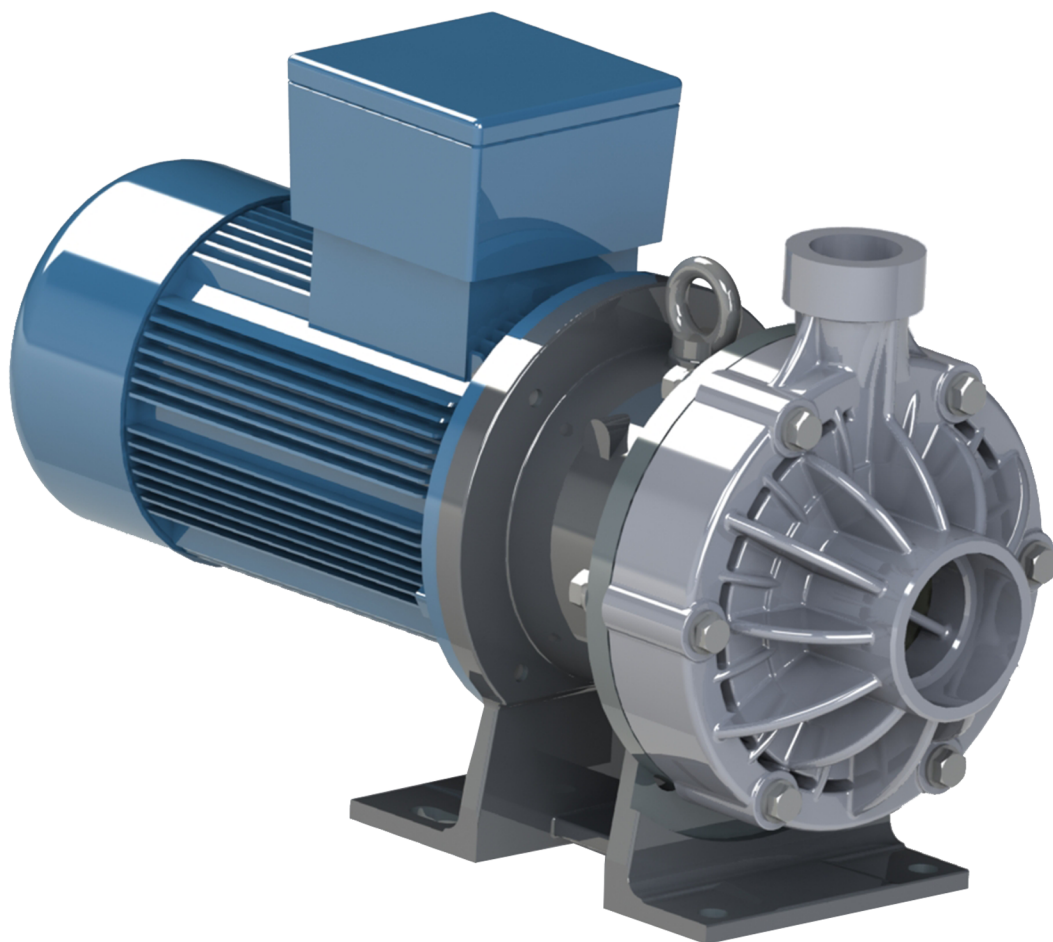
MAGNETIC DRIVE CENTRIFUGAL PUMPS

KM 70

- MADE IN ITALY PRODUCT
- AVAILABLE IN PP - PVDF
- BELOW HEAD USE
- NO WELDED SEAMS
- EXTREMELY EASY MAINTENANCE
- LOW COST OF SPARE PARTS
- NO FLUID LEAKS
- VISCOSITY UP TO 150 CPS

- OPERATING TEMPERATURE:
PP min. +3°C / max +65°C
PVDF min. +3°C / max +95°C
- CONTINUOUS OPERATION

MODEL	Kw MOTOR	HP	MOTOR FRAME	RPM	MOTOR SPECIFICATIONS
KM 70	4	5.5	B5	2900	THREE-PHASE 230/400 V – 50/60 HZ – / ATEX motor available
	5.5	7.5	B5	2900	THREE-PHASE 400/690 V – 50/60 HZ – / ATEX motor available
	7.5	10	B5	2900	THREE-PHASE 400/690 V – 50/60 HZ – / ATEX motor available



INTAKE CONNECTIONS G3" f (DN80 on request)

DELIVERY CONNECTIONS G2" 1/2 m (DN65 on request)

MAX FLOW RATE 65 m³/h

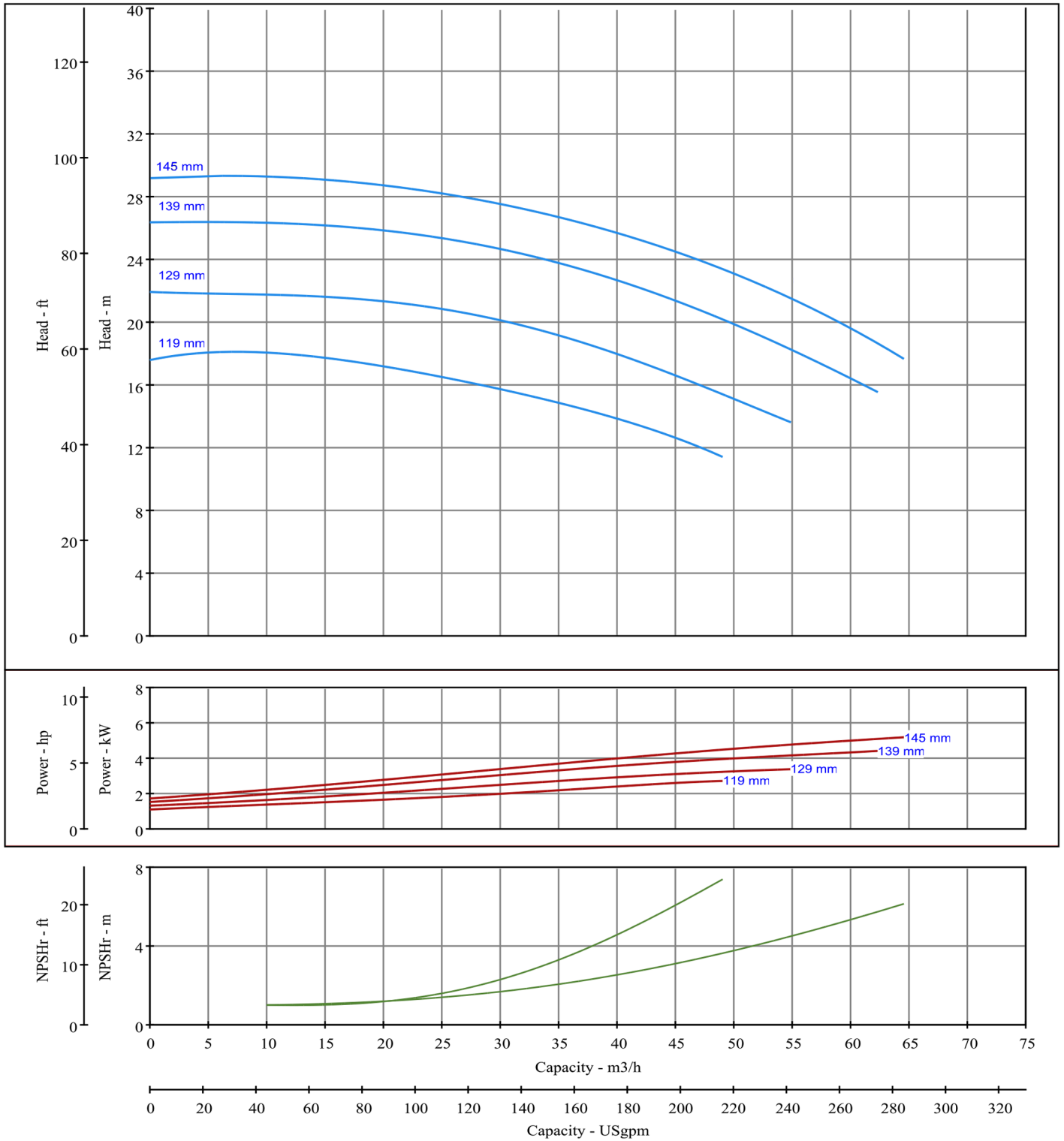
MAX HEAD 29 m



MAGNETIC DRIVE CENTRIFUGAL PUMPS

KM 70

THE CURVES AND THE PERFORMANCES ARE REFERRED TO LIQUIDS WITH SPECIFIC WEIGHT 1 - WATER AT 20°C

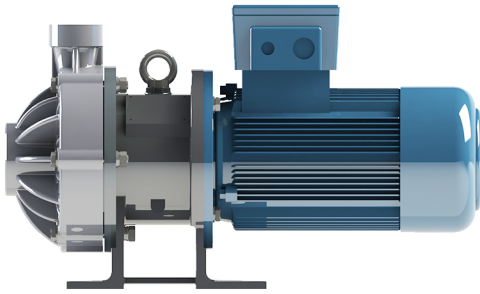


MAGNETIC DRIVE CENTRIFUGAL PUMPS

KM 70

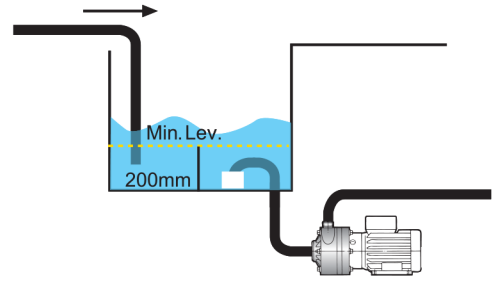
AVAILABLE MATERIALS

**POLYPROPYLENE
PVDF**

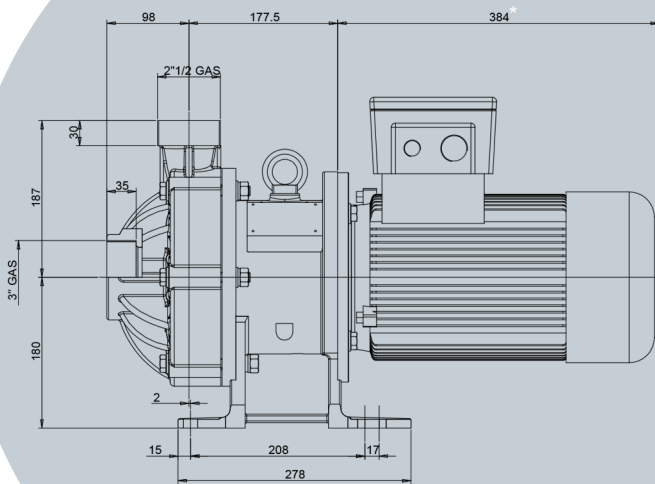


INSTALLATIONS

POSITIVE SUCTION HEAD



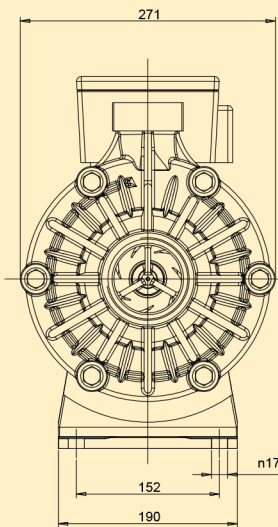
**KM 70
MOTOR CASING 112**



(Dimensions in mm)

*Dimension may differ depending on motor size

KM 70



MAGNETIC DRIVE CENTRIFUGAL PUMPS

KM 70

KM COMPOSITION CODE

ex. **KM70P-SD1BE112**

KM70 PP, Thrust washer standard, O-Ring EPDM, Connection BSP, Motor flange MEC, Motor Casing 112

KM70	P	S	D	1	B	E	112
PUMP MODEL	PUMP BODY	THRUST WASHER	O-RING	IMPELLER	CONNECTION	MOTOR FLANGE	MOTOR CASING
KM70	P - Polipropilene FC - PVDF +CF	S - Standard (ceramica + PTFE Graphite)	D - EPDM V - Viton®	1 - Ø 145 2 - Ø 139 3 - Ø 129 4 - Ø 119	N - NPT B - BSP	E - MEC	112 132

APPLICATIONS

