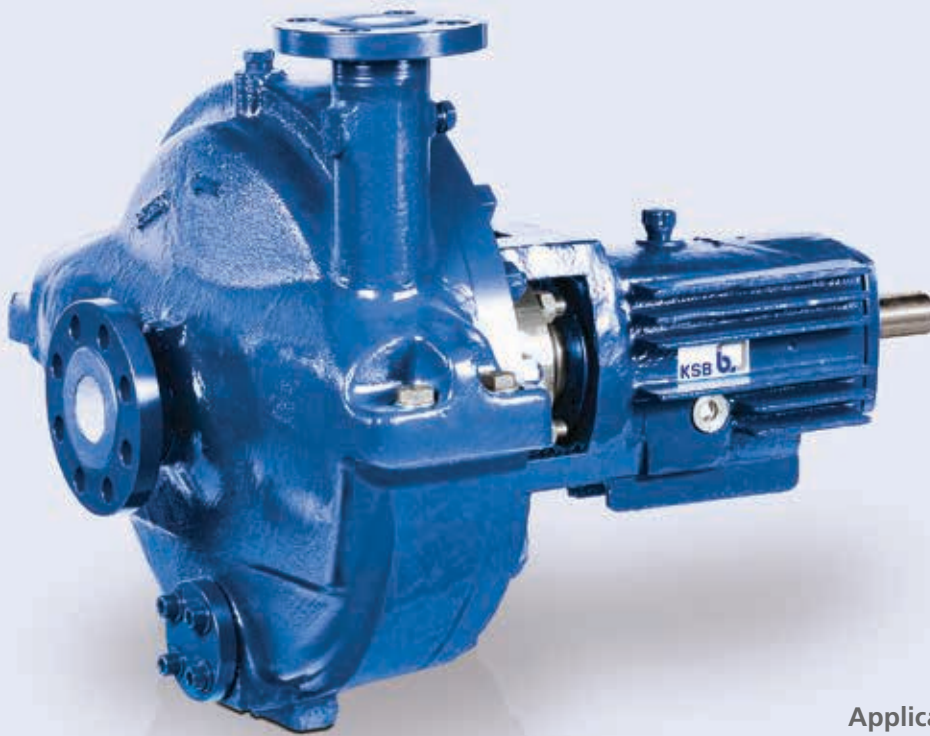


► Our technology. Your success.

Pumps • Valves • Service



## **RPH** – Heavy-duty OH2 process pump to ISO 13709 / API 610



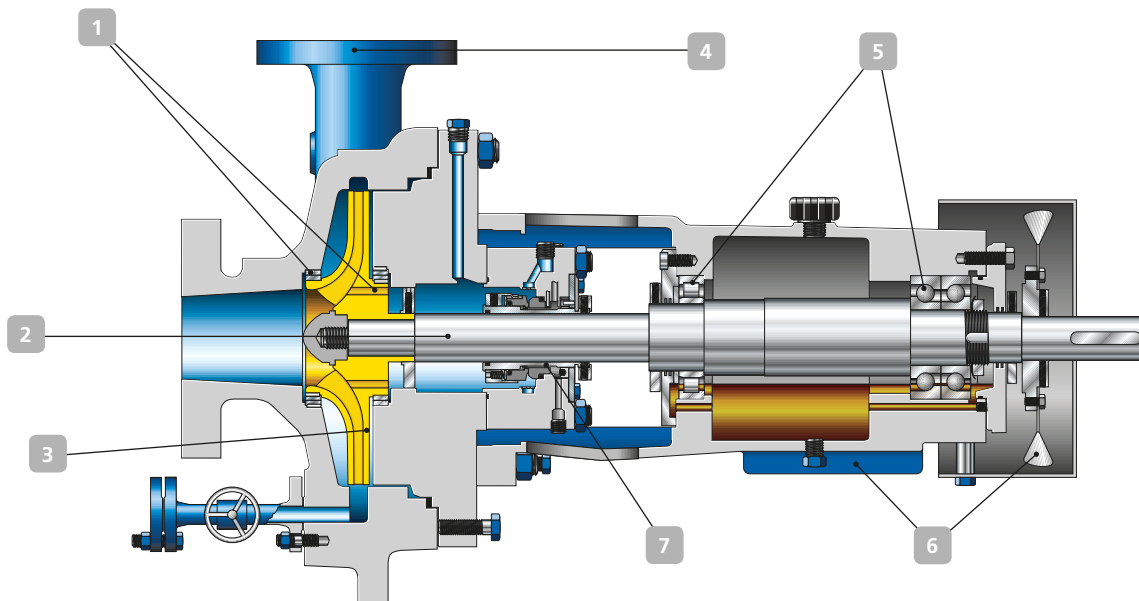
### Applications:

- Oil and gas, petrochemical and power plants

### More information:

[www.ksb.com/products](http://www.ksb.com/products)

# RPH – Heavy-duty OH2 process pump to ISO 13709 / API 610



## 1 Low maintenance costs

- Customized balancing system depending on the duty point markedly reduces axial forces, and increases bearing life.
- Double volute (DN 80 and above) reduces radial thrust and prevents shaft deflection, considerably reducing the loads on bearings and mechanical seal.

## 2 Long service life of the mechanical seal

Maximum shaft diameter as allowed per API 610 for low shaft deflection and reduced vibrations.

## 3 Reduced operating costs

With more than 70 hydraulics, always the best selection to API for a better efficiency.

## 4 High flexibility

The pump flanges are available for all common pipelines because they are built to all standards up to PN 100 / ASME Class 600.

## 5 Long service life and reliability of bearings

- Heavy-duty 40° angular contact thrust bearing exceeding the API requirements.
- Lubrication per oil bath or oil mist.

## 6 No cooling water circuit required

When fluid temperature and ambient temperature are high, the steel bearing bracket with integrated cooling fins and the optional fan impeller protect the unit from overheating.

## 7 Easy to service

Mechanical seals as per ISO 24109 / API 682 in cartridge design for easy installation and removal.

### Materials

S1, S5, S6, S8, C6, A8, D1, and special materials on demand

Technical data	50 Hz	60 Hz
DN [mm]	25 – 400	25 – 400
DN [inch]	1 – 16	1 – 16
Q [m³/h]	4,150 max.	5,000 max.
Q [US.gpm]	18,200 max.	22,000 max.
H [m]	270 max.	270 max.
H [ft]	885 max.	885 max.
p [bar]	110 max.	110 max.
p [psi]	1,595 max.	1,595 max.
T [°C]	-70 to +450	-70 to +450
T [°F]	-94 to +842	-94 to +842